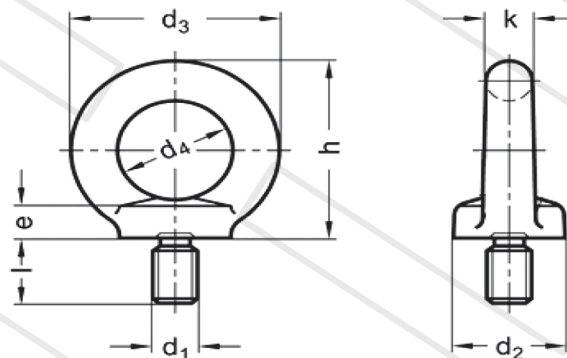


DIN 580 - ISO 3266 - PN 82472

Norma

Śruba z uchem



MATERIAŁY:

- Stal kl. C15
- Stal nierdzewna A2, A4

POKRYCIA:

- Bez pokrycia
- Ocynk galwaniczny biały
- Ocynk ogniowy

RODZAJE GWINTÓW:

- Metryczne

d1	M8	M10	M12	M16	M20	M24	M27	M30	M36
1	13,0	17,0	20,5	27,0	30,0	36,0	45,0	45,0	54,0
d2	20,0	25,0	30,0	35,0	40,0	50,0	65,0	65,0	75,0
d3	36,0	45,0	54,0	63,0	72,0	90,0	108,0	108,0	126,0
d4	20,0	25,0	30,0	35,0	40,0	50,0	65,0	65,0	75,0
h	36,0	45,0	53,0	62,0	71,0	90,0	109,0	109,0	128,0
e	6,0	8,0	10,0	12,0	14,0	18,0	22,0	22,0	26,0
k	8,0	10,0	12,0	14,0	16,0	20,0	22,0	24,0	28,0

* Wymiary w tabeli to wymiary standardowe

** Inne na zapytanie